

MAGNETIC DRIVE PUMP



CAVALLI

MSP SERIES MAGNETIC DRIVE PUMP

FEATURES

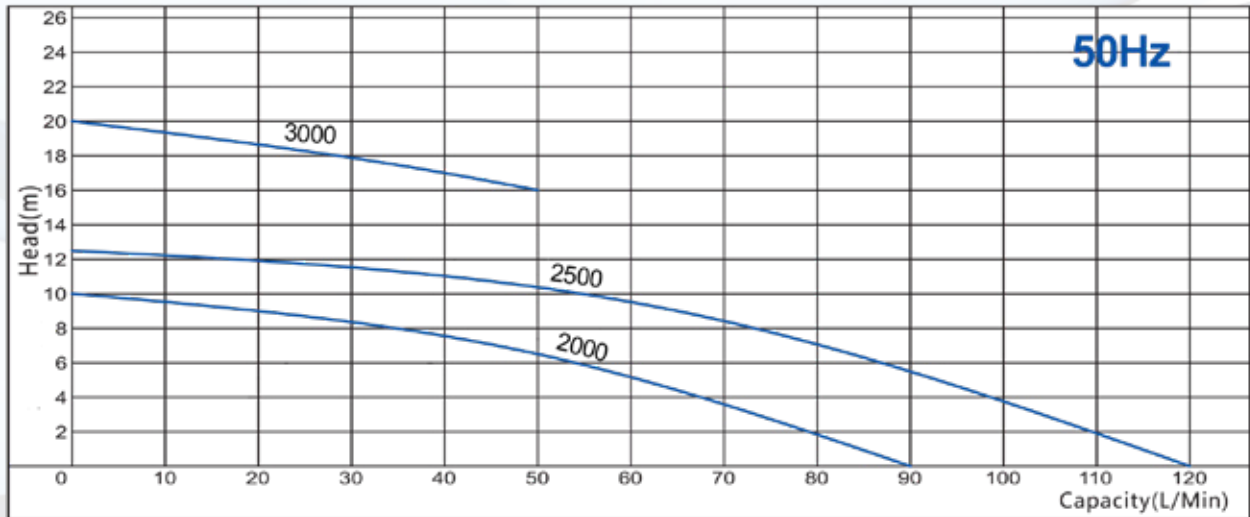
- Standard model
- The motor is of solid TEFC construction and is painted with 2-parts epoxy paint
- Ceramic bearing and ceramic spindle as standard spareparts for longer life span
- Standard connections available in hose, threads or union type

MS	P	-	00 00	X	X	-	X	0	0
Series	Material		Model	Bearing	O-Ring		Connection	Frequency	Density
	P - GFRPP		20 10 - Single phase 20 00 - Three phase 25 10 - Single phase 25 00 - Three phase 25 3E - JEM 30 10 - Single phase 30 00 - Three phase	C - Carbon R - Rulon A - Ceramic S - SIC I - SSIC	E - EDPM V - FKM		H - Hose T - Threaded U - Union J - JIS10K	5 - 50Hz 6 - 60Hz	0 - 1.0 1 - 1.1 3 - 1.3 5 - 1.5 7 - 1.7 9 - 1.9

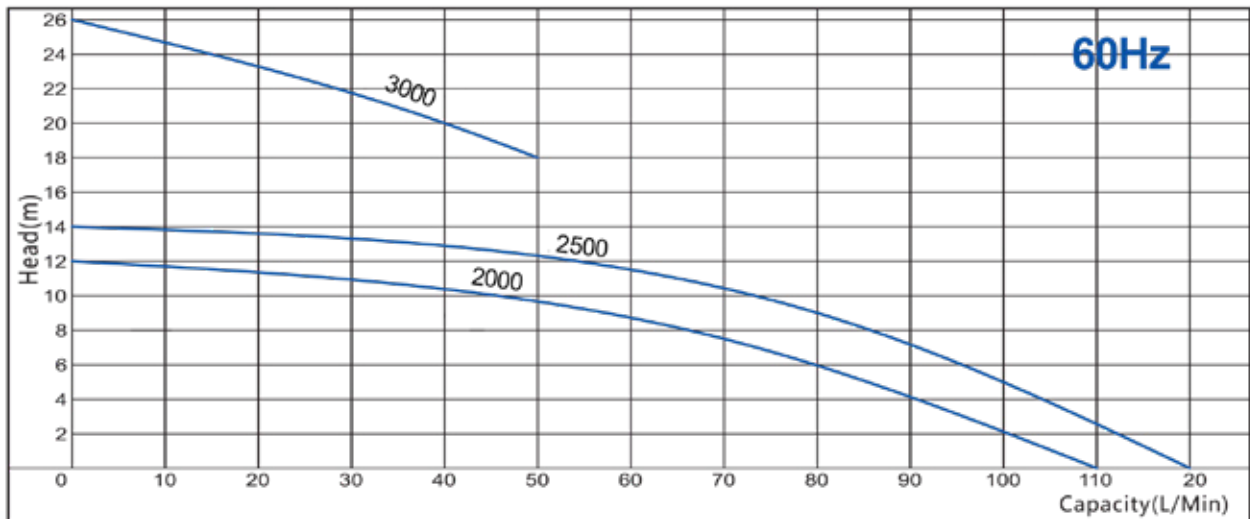
MODEL	CONNECTION			RATED CAPACITY (L/min)		RATED HEAD (m)		MOTOR OUTPUT (W)
	HOSE (mm)	THREAD (")	FLANGE (A)	50Hz	60Hz	50Hz	60Hz	
MSP-2000	26 x 26	1 x 1	25 x 25	50	70	6.5	7.5	150
MSP-2500	26 x 26	1 x 1	25 x 25	65	80	9.0	9.0	250
MSP-253E	26 x 26	1 x 1	25 x 25	65	80	9.0	9.0	JEM-0.25kW
MSP-3000	26 x 20	1 x 3/4	-	50	50	16	21	330

PERFORMANCE CURVES

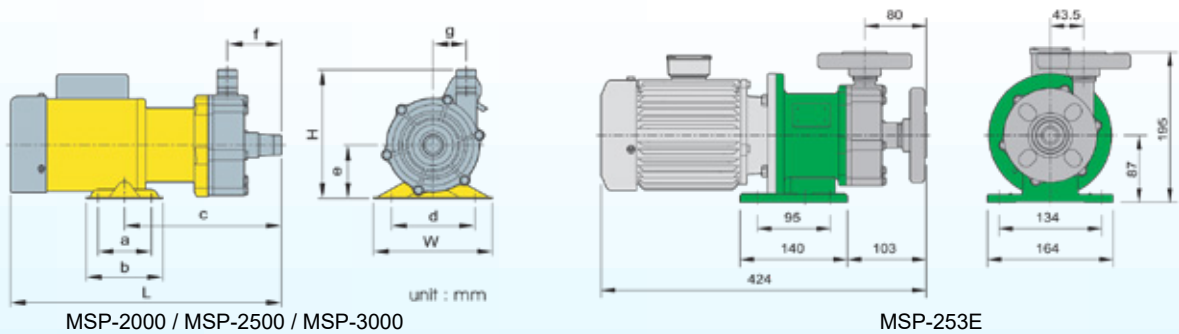
Nominal speed:2700r.p.m



Nominal speed:3200r.p.m



DRAWING & DIMENSIONS



Dimensions in mm

MODEL	W	H	L	a	b	c	d	e	g	f
MSP-2000	156	165	355	70	100	205	110	66	70	43.5
MSP-2500	156	165	365	70	100	195	110	66	70	43.5
MSP-253E	164	195	424	95	140		134	87	43.5	80
MSP-3000	160	175	385	50	110	181	110	75	55	47.5